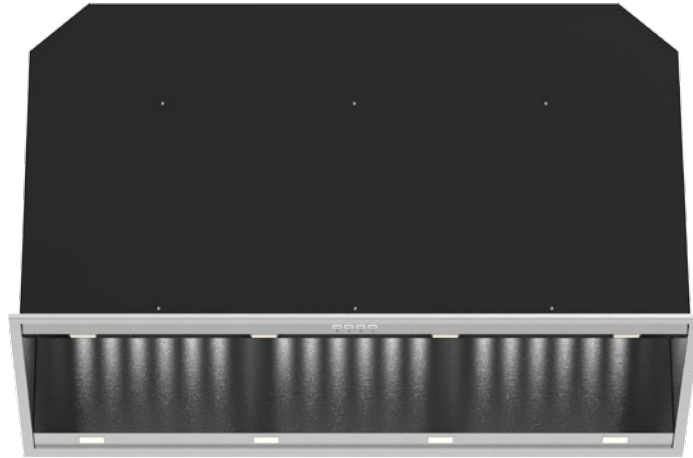




PROUDLY AUSTRALIAN OWNED
DESIGNED & ASSEMBLED IN MELBOURNE



PREMIUM GERMAN MADE
MOTOR SYSTEMS



- Model Number** X3T12S
- Hood Mounting** Built In (Undermount) - Flush or Proud Install
- Cooking Coverage** Suits 90cm - 120cm Cooking Surfaces
- Filtration** S-Flow Baffle Filters 3x (H-25) - Dishwasher Safe
- Lighting** LED 8x (Warm White 1.0W) - Front & Rear Panel
- Finish** **AISI304 1.2mm** Food Grade Stainless Steel
- Controls** LED Backlit 4 Button *mastermind* Electronic Control with LED Speed Indicator
- Speed Settings** 3 Speed + Boost Mode
- Timer Function** Programmable Timer (10min Increments)
Auto fan shut off after 2-hours of inactivity
- Outlet** "Twin" Top or Back Duct Outlets
- Ducting (Remote)** Dia. 200mm Acoustic Flexi Ducting - Five (5) Meter Length (2x Supplied)
- Ducting (On Board)** Optional On Board Motor Ducting Kits Available
Ultra Motor - Dia. 200mm (Recommended)
- Hood Width** 1160mm
- Hood Depth** **480mm**
- Hood Height** 650mm (Top Duct Outlet - Plus 25mm)
- Installation Height** 800* (Recommended)
600mm* (Minimum)
* Clearance above the highest point of the cooktop to the underside of hood



Whispair Endurance Warranty



5 YEAR WARRANTY
COMPRESSOR PARTS & LABOUR

10 YEAR WARRANTY
REPLACEMENT FILTERS & MOTOR

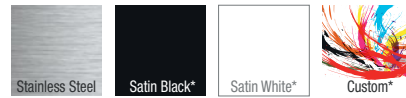
LIFETIME
REPLACEMENT PARTS WARRANTY

Filtration Zone

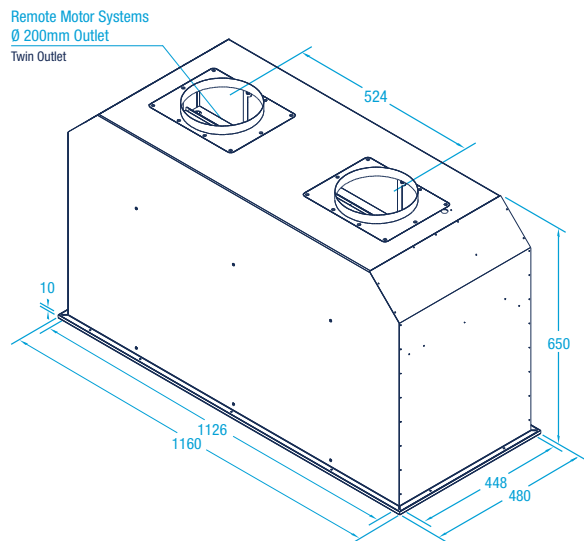


Your Hood. Your Colour. Your Way.

Available Finishes (Stainless Steel Finish Standard)



Dimensioned Drawing



Available Models - Select Your Motor Solution & Optional Finish

On Board

X3T12S6.20U (/T or /B)

"Twin" Ultra 1,680m³/hr (Top or Back Ducted)

Remote External (Roof or Wall Mounted)

X3T12S5.2EP

"Twin" Pro 1,140m³/hr

SPL: 49.6dB(A) In / 58.5dB(A) Out

X3T12S5.2EPP

"Twin" Pro Plus 2,010m³/hr

SPL: 56.6dB(A) In / 62.8dB(A) Out

Remote Inline (Through Wall or Eave)

X3T12S5.2IP

"Twin" Pro 1,140m³/hr

SPL: 49.6dB(A) In / 58.5dB(A) Out

*Your Hood. Your Colour. Your Way. (Optional Undermount Finish)**

X1P3.BL

Paint Finish - Satin Black

X1P3.WH

Paint Finish - Satin White

X1P3.CUS

Paint Finish - Custom Colour

**Additional charges apply*

SPL - Nominal Sound Pressure Level on Boost (Max) Speed