

whispair

Vienna 120



PROUDLY AUSTRALIAN OWNED
DESIGNED & ASSEMBLED IN MELBOURNE



PREMIUM GERMAN MADE
MOTOR SYSTEMS

Product Detail

Model Number	X5V12S
Hood Mounting	Wall Mounted Canopy
Cooking Coverage	Suits 100cm - 120cm Cooking Surfaces
Filtration	S-Flow Baffle Filters 3x (H-25) - Dishwasher Safe
Lighting	LED 8x (Warm White 1.0W) - Front & Rear Panels
Finish	AISI304 1.0mm Food-Grade Stainless Steel
Chassis	Triple Layer - Insulated with Sound Deadening Foam
Controls	LED Backlit 4 Button <i>mastermind</i> Electronic Control with LED Speed Indicator
Speed Settings	3 Speed + Boost Mode
Timer Function	Programmable Timer (10min Increments) Auto fan shut off after 2-hours of inactivity
Outlet	Top or Back Duct Outlet
Ducting (Remote)	Dia. 200mm Acoustic Flexi Ducting - Five (5) Meter Length (Supplied)
Ducting (On Board)	Optional On Board Motor Ducting Kits Available Ultra Motor - Dia. 200mm (Recommended) Power Motor - Dia. 150mm (Recommended)
Hood Width	1200mm
Hood Depth	500mm
Hood Height (Fascia)	120mm
Installation Height	700 - 750mm* (Recommended) 600mm* (Minimum)

*Clearance above the highest point of the cooktop to the underside of hood



Filtration Zone



Whispair Endurance Warranty



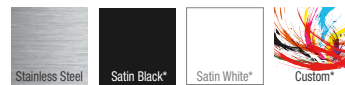
5 YEAR WARRANTY

10 YEAR WARRANTY

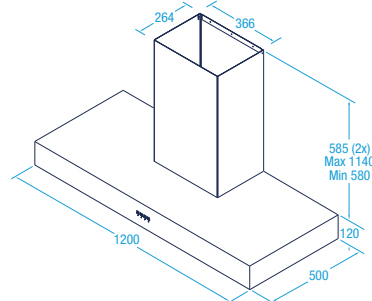
LIFETIME WARRANTY

Your Hood. Your Colour. Your Way.

Available Finishes (Stainless Steel Finish Standard)



Dimensioned Drawing



Available Models - Select Your Motor Solution & Optional Finish

On Board
X5V12S6.OU (T or /B) Ultra 1,680m³/hr (Top or Back Ducted) SPL: 56.5dB(A)

Remote External (Roof or Wall Mounted)
X5V12S5.EP Pro 1,140m³/hr SPL: 49.6dB(A) In / 58.5dB(A) Out
X5V12S5.EPP Pro Plus 2,010m³/hr SPL: 56.6dB(A) In / 62.8dB(A) Out

Remote Inline (Through Wall or Eave)
X5V12S5.IP Pro 1,140m³/hr SPL: 49.6dB(A) In / 58.5dB(A) Out

Your Hood. Your Colour. Your Way. (Optional Wall Mounted Canopy Finish)*

X1P5.BL Paint Finish - Satin Black
X1P5.WH Paint Finish - Satin White
X1P5.CUS Paint Finish - Custom Colour

*Additional charges apply

SPL - Nominal Sound Pressure Level on Boost (Max) Speed