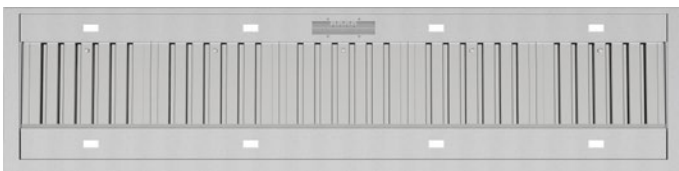


- Model Number** X3W20S
- Hood Mounting** Built In (Undermount) - Flush or Proud Install
- Cooking Coverage** Suits 150cm - 200cm Cooking Surfaces
- Filtration** S-Flow Baffle Filters 5x (H-25) - Dishwasher Safe
- Lighting** LED 8x (Warm White 1.0W) - Front & Rear Panels
- Finish** **AISI316 1.2mm** Marine Grade Stainless Steel
- Controls** LED Backlit 4 Button *mastermind* Electronic Control with LED Speed Indicator
- Speed Settings** 3 Speed + Boost Mode
- Timer Function** Programmable Timer (10min Increments)
Auto fan shut off after 2-hours of inactivity
- Outlet** "Twin" Top or Back Duct Outlets
- Ducting (Remote)** Dia. 200mm Acoustic Flexi Ducting - Five (5) Meter Length (2x Supplied)
- Hood Width** 1960mm
- Hood Depth** **480mm**
- Hood Height** 330mm (Top Duct Outlet - Plus 25mm)
- Installation Height** 1200mm* (Recommended)
* Clearance above the highest point of the cooktop to the underside of hood



Filtration Zone



PROUDLY AUSTRALIAN OWNED
DESIGNED & ASSEMBLED IN MELBOURNE



PREMIUM GERMAN MADE
MOTOR SYSTEMS

Whispair Endurance Warranty

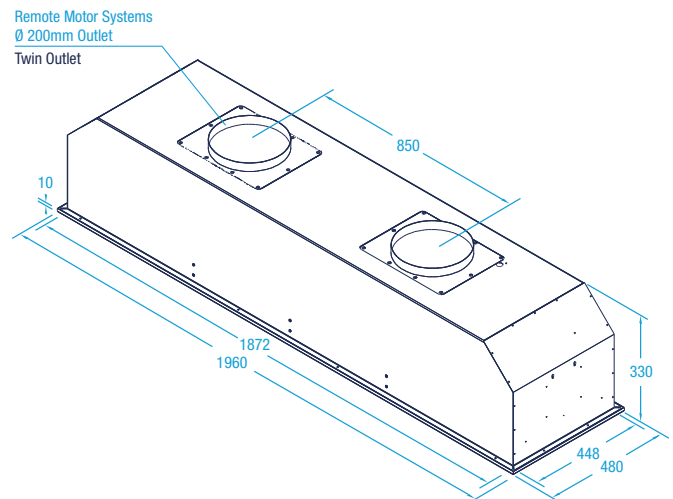


Your Hood. Your Colour. Your Way.

Available Finishes (Stainless Steel Finish Standard)



Dimensioned Drawing



Available Models - Select Your Motor Solution & Optional Finish

Remote External (Roof or Wall Mounted)
X3W20S5.2EPP "Twin" Pro Plus 2,010m³/hr SPL: 56.6dB(A) In / 62.8dB(A) Out

*Your Hood. Your Colour. Your Way. (Optional Undermount Finish)**

- X1P3.BL Paint Finish - Satin Black
- X1P3.WH Paint Finish - Satin White
- X1P3.CUS Paint Finish - Custom Colour

**Additional charges apply*

SPL - Nominal Sound Pressure Level on Boost (Max) Speed