



Convection Steam Ovens

The legacy of the “combination oven” goes back decades, to innovative chefs in America and Europe who embraced the combination of air movement with superheated steam to achieve superior results—from breads and roasts to delicate fishes, seafood and vegetables. Wolf combines the benefits of convection and steam for the most innovative steam oven on the market today. Virtually any dish prepared in a conventional oven, range or microwave can also be prepared in the Wolf convection steam oven—with more control. Three distinct styles compliment the look of Wolf ovens, ranges and cooktops. It can be installed in a standard or flush inset application.

KEY FEATURES

- Convection and steam heat with ten cooking modes for superior control.
- Gourmet and Recipes modes for quick and convenient meal preparation.
- Temperature probe, perforated and solid stainless steel pans.
- Operating time, delayed start and descaling features.

CONVECTION STEAM OVENS

TRANSITIONAL

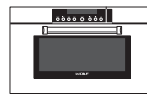


ICBCSO30TM/S/TH



ICBCSO30TE/S/TH

PROFESSIONAL



ICBCSO30PM/S/PH



ICBCSO30PE/S/PH

CONTEMPORARY

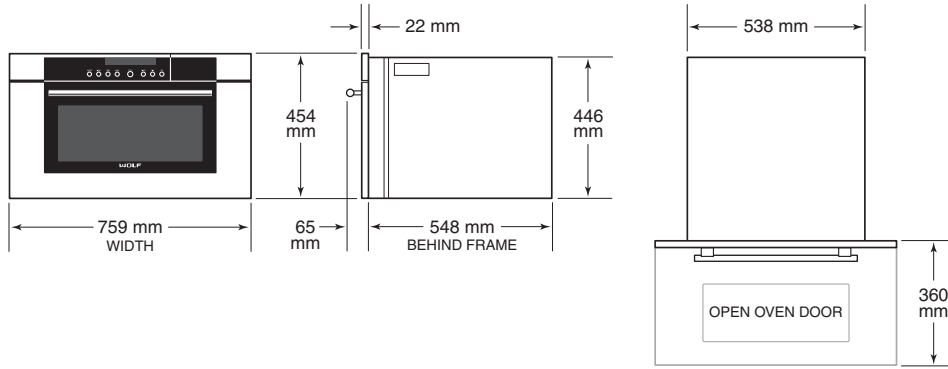


ICBCSO30CM/B/TH



Convection Steam Oven

DIMENSIONS



| SPECIFICATIONS | | | | |
|----------------------------|----------|----------|----------|----------|
| INTERIOR CAPACITY | | | | L |
| All Models | | | | 51 |
| INTERIOR DIMENSIONS | | | | |
| | W | H | D | |
| All Models | 454 mm | 280 mm | 400 mm | |



Planning Information

The convection steam oven can be installed in a standard or flush inset application. A minimum base support of 45 kg is required. The electrical supply for the oven must be located in an adjacent cabinet.

Finish the edges of the opening. They may be visible when the door is open.

For flush inset installations, a minimum 3 mm reveal is required on all sides. To ensure consistent 3 mm reveals, each corner of the opening must be exactly 90°.

| TRIM OVERLAP | |
|--------------|-------|
| Top | 5 mm |
| Bottom | 0 mm |
| Sides | 98 mm |

ELECTRICAL

Installation must comply with all applicable electrical codes and be properly grounded (earthed).

Locate the electrical supply as shown in the illustrations on the following pages. A separate circuit, servicing only this appliance is required. A ground fault circuit interrupter (GFCI) is not recommended and may cause interruption of operation.

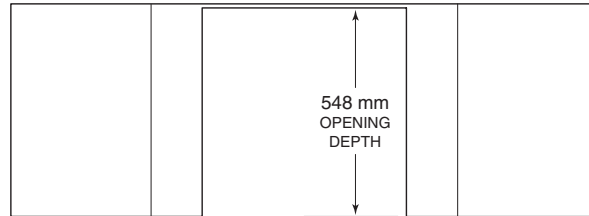
Performance may be compromised if the electrical supply is less than 220 volts.

| ELECTRICAL REQUIREMENTS | |
|-------------------------|---|
| Electrical Supply | 220-240 V AC, 50 Hz 380-415 V AC 2N, 50 Hz |
| Service | 3700 Watts |
| Power Cord | 2.5 m |

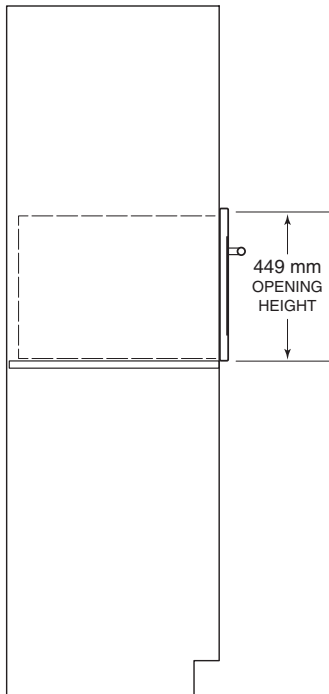


Convection Steam Oven

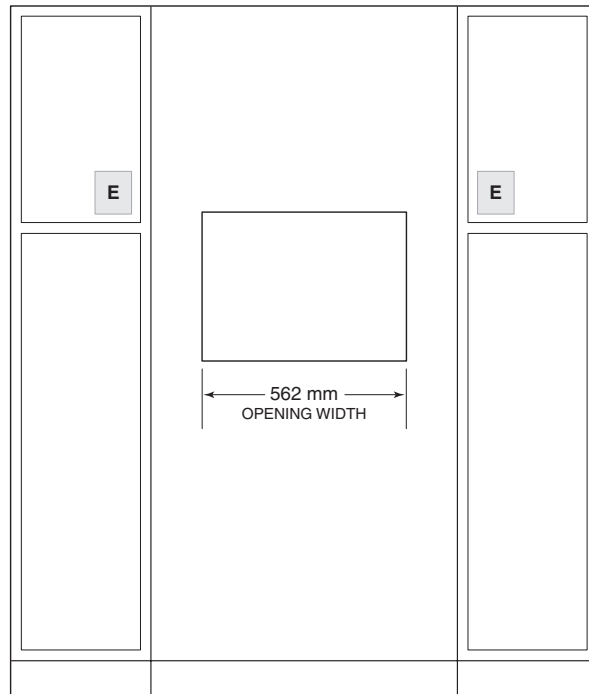
STANDARD INSTALLATION



TOP VIEW



SIDE VIEW



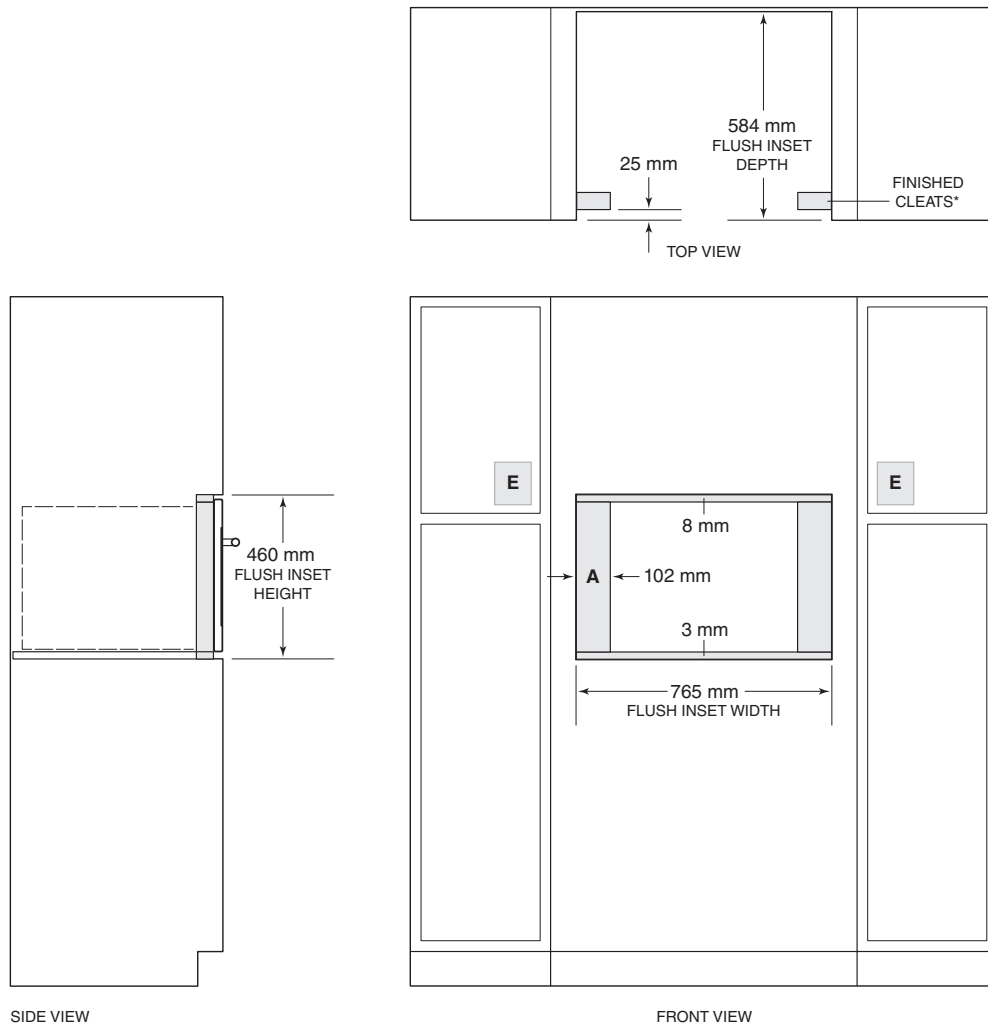
FRONT VIEW

Electrical supply must be located in adjacent cabinet within .9 m of opening.
Dashed line represents profile of unit.



Convection Steam Oven

FLUSH INSET INSTALLATION



*Will be visible and should be finished to match cabinetry.

NOTE: Electrical supply must be located in adjacent cabinet within .9 m of opening.
Dashed line represents profile of unit.