

ICBCG365T/S

FEATURES

- Lower tier of dual-stacked burner lets you simmer and melt
- Continuous cast-iron grates for easy movement of pots and pans
- Easy-clean seamless burner pan
- Dual-stacked burners go from 17 MJ down to a mere breath of flame
- Rigorously tested in our U.S. manufacturing facilities for decades of use
- Exceptional support from our Customer Care team
- Spark ignition system re-ignites if flame goes out
- Stylish stainless control knobs capped in black

ACCESSORIES

- Center burner wok grate
- High altitude conversion kit

Accessories available through an authorized Sub-Zero dealer.
For local dealer information, visit subzero-wolf.com/locator.



COOKTOP SPECIFICATIONS

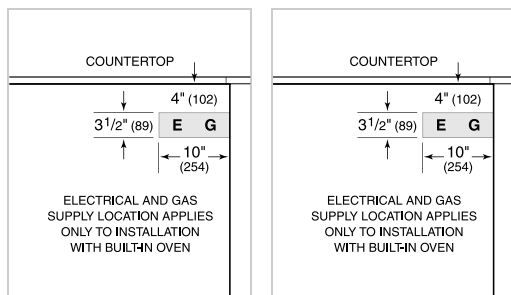
- 3 - 9 MJ/h Burner
- 1 - 12 MJ/h Burner
- 1 - 17 MJ/h Burner

PRODUCT SPECIFICATIONS

Model	ICBCG365T/S
Dimensions	914mmW x 102mmH x 533mmD
Weight	30 kg
Electrical Supply	220-240 VAC; 50/60 Hz
Electrical Service	0.2 A
Gas Supply	Nat - 19 mm; LP - 13 mm
Gas Inlet	Class B or Class D
Power Cord Length	1 Meters

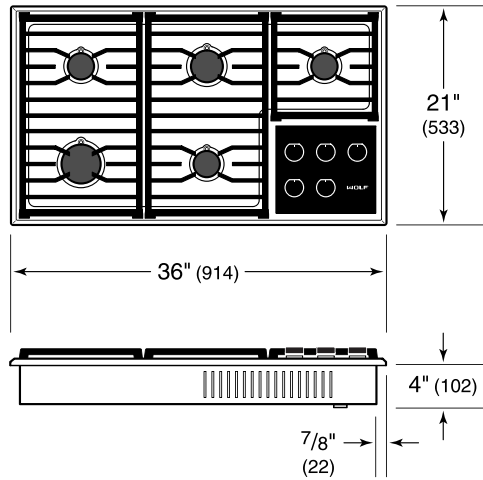
ELECTRICAL

GAS

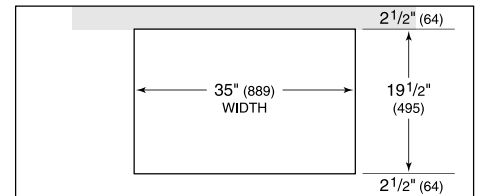


NOTE: Dimensions in parenthesis are in millimeters unless otherwise specified

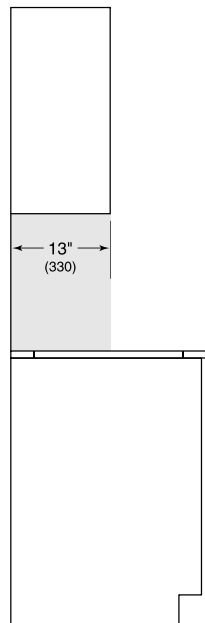
DIMENSIONS



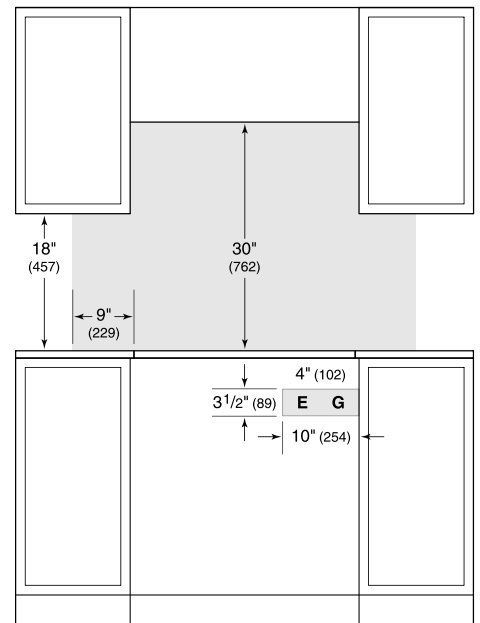
STANDARD INSTALLATION



COUNTERTOP CUT-OUT



SIDE VIEW



FRONT VIEW

NOTE: Shaded area above countertop indicates minimum clearance to combustible surfaces, combustible materials cannot be located within this area. Electrical and gas supply location only applies to installations with built-in oven.

GUIDE ONLY.

THESE SPECIFICATIONS ARE A GUIDE ONLY. Not suitable for cabinetry, installation or services location.

Specifications are subject to change without notice. This information was generated on March 14, 2018. Verify specifications prior to finalizing your cabinetry/enclosures.