

91 CM OUTDOOR GAS GRILL



ICBOG36

FEATURES

- Three individually contained grill burners for versatile cooking
- Utilizes both direct and radiant heat for more thorough grilling
- Heavy-duty stainless steel construction
- Two-position rotisserie handles foods big and small
- Available built-in
- Rigorously tested for decades of use
- Exceptional support from our Customer Care team
- Halogen lights for night-time grilling
- Double-wall hood front holds in heat
- Hood assist system makes opening and closing easy
- Three-position warming rack for the exact temperature you want
- Stainless steel burner grates
- Infrared sear zone seals in juices and flavors

ACCESSORIES

- Canvas covers
- Griddle Plate
- Black control knob(s)

Accessories available through an authorized dealer.
For local dealer information, visit subzero-wolf.com/locator.



KNOB OPTIONS



GRILL SPECIFICATIONS

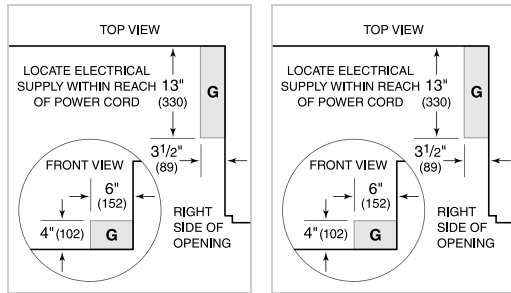
- 2 - 29 MJ Burners
- 1 - 15 MJ Rotisserie Burner
- 1 - 29 MJ Sear Burner

PRODUCT SPECIFICATIONS

Model	ICBOG36
Dimensions	914mmW x 686mmH x 762mmD
Weight	112 kg
Electrical Supply	220-240 VAC; 50/60 Hz
Electrical Service	10 amp dedicated circuit
Gas Supply	19 mm minimum
Gas Inlet	13 mm

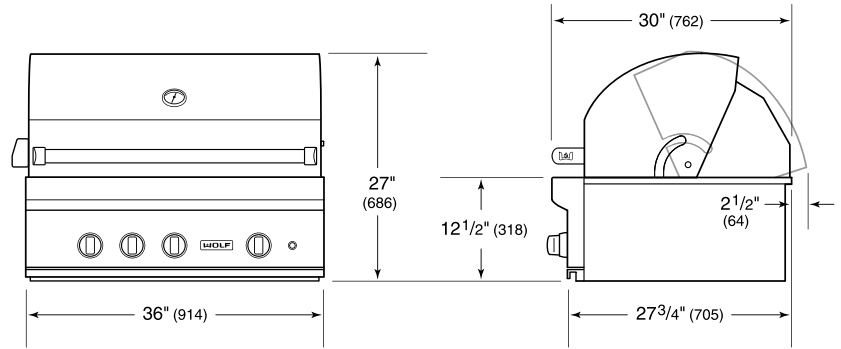
ELECTRICAL

GAS

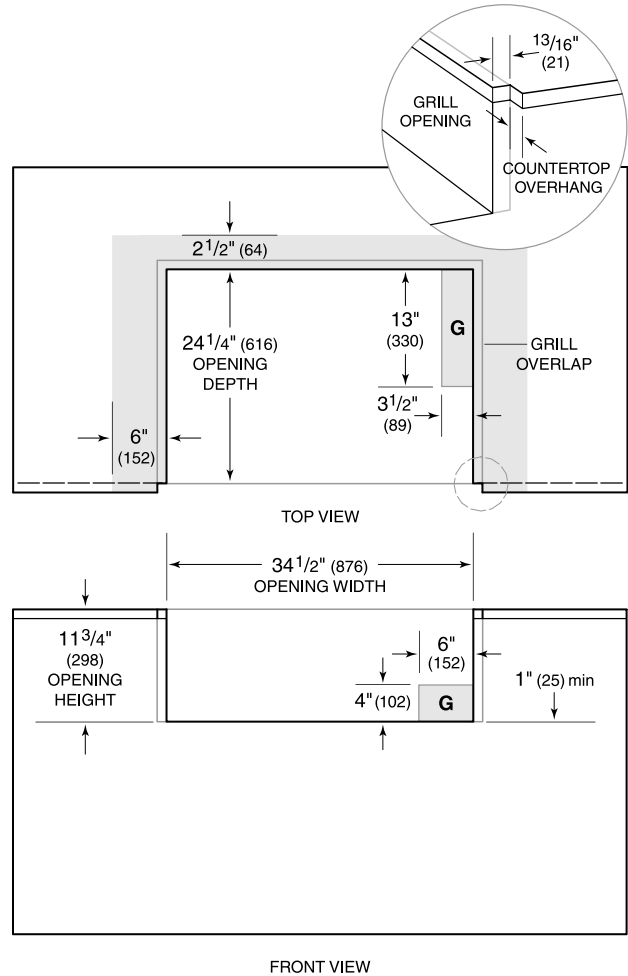


NOTE: Dimensions in parenthesis are in millimeters unless otherwise specified

DIMENSIONS



STANDARD INSTALLATION



NOTE: Shaded area above countertop indicates minimum clearance to combustible surfaces, combustible materials cannot be located within this area.

GUIDE ONLY.

THESE SPECIFICATIONS ARE A GUIDE ONLY. Not suitable for cabinetry, installation or services location.