

## ICBOG54

### FEATURES

- Six individually contained grill burners for versatile cooking

---

- Utilizes both direct and radiant heat for more thorough grilling

---

- Three-position warming rack for the exact temperature you want

---

- Available built-in only

---

- Two-position rotisserie handles foods big and small

---

- Infrared sear zone seals in juices and flavors

---

- Rigorously tested for decades of use

---

- Exceptional support from our Customer Care team

---

- Halogen lights for night-time grilling

---

- Double-wall hood front holds in heat

---

- Hood assist system makes opening and closing easy

---

- Electric hot surface ignition for reliable start ups

---

- Stainless steel burner grates

### ACCESSORIES

- Canvas covers

---

- Griddle Plate

---

- Black control knob(s)

Accessories available through an authorized dealer.  
For local dealer information, visit [subzero-wolf.com/locator](http://subzero-wolf.com/locator).



### KNOB OPTIONS



### GRILL SPECIFICATIONS

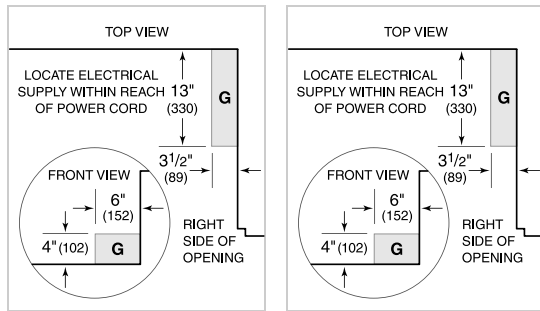
- 3 - 29 MJ Burners
- 2 - 15 MJ Rotisserie Burners
- 1 - 29 MJ Sear Burner

**PRODUCT SPECIFICATIONS**

Model	ICBOG54
Dimensions	1372mmW x 686mmH x 762mmD
Weight	159 kg
Electrical Supply	220-240 VAC; 50/60 Hz
Electrical Service	10 amp dedicated circuit
Gas Supply	19 mm minimum
Gas Inlet	13 mm

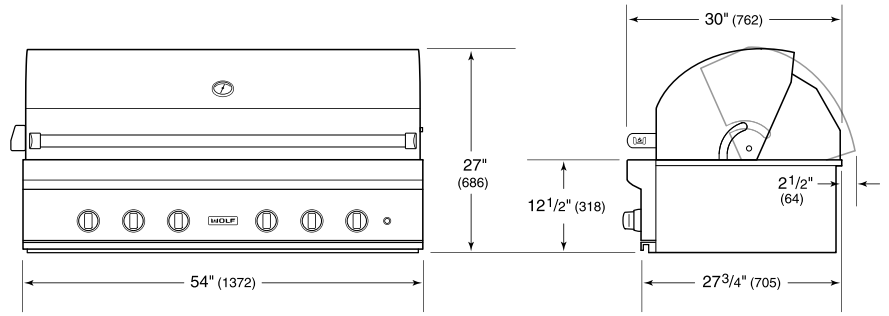
**ELECTRICAL**

**GAS**

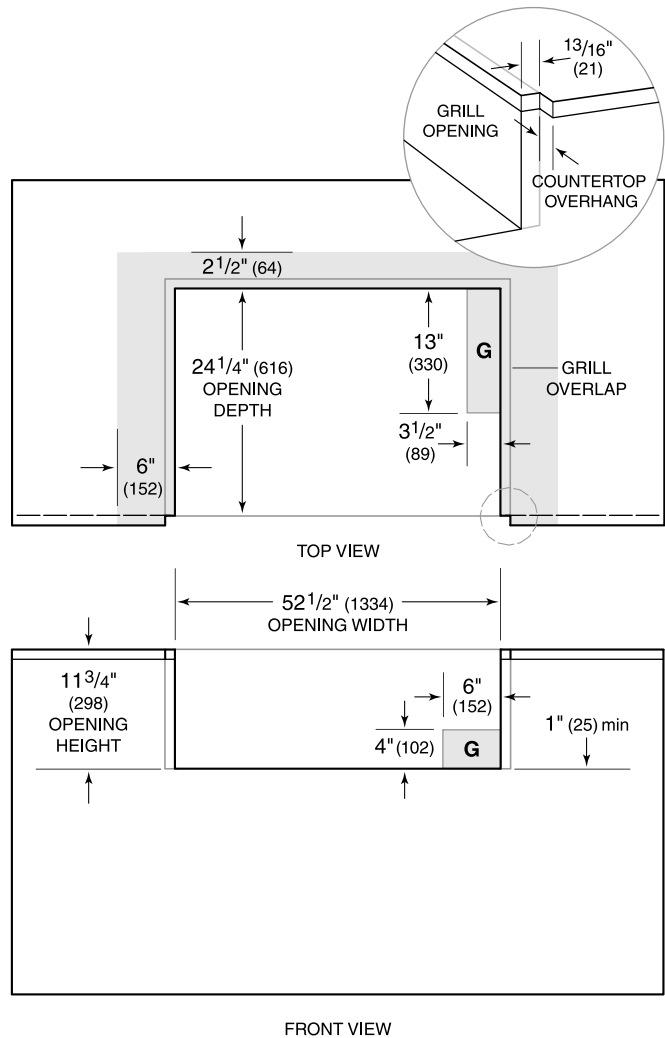


**NOTE:** Dimensions in parenthesis are in millimeters unless otherwise specified

**DIMENSIONS**



**STANDARD INSTALLATION**



**NOTE:** Shaded area above countertop indicates minimum clearance to combustible surfaces, combustible materials cannot be located within this area.