

ICBSO2418TE/S/TH



FEATURES

11 cooking modes make meals easy

Black porcelain interior

Installs flush or proud with surrounding cabinetry

Self clean, delayed start, timed cook and more

Single convection oven for fast, consistent cooking

Quicker preheat for faster meal prep

Adjustable oven rack plus porcelain-coated pan

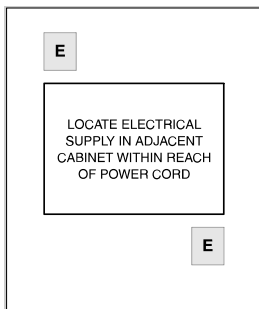
Dual halogen lights for better interior views



PRODUCT SPECIFICATIONS

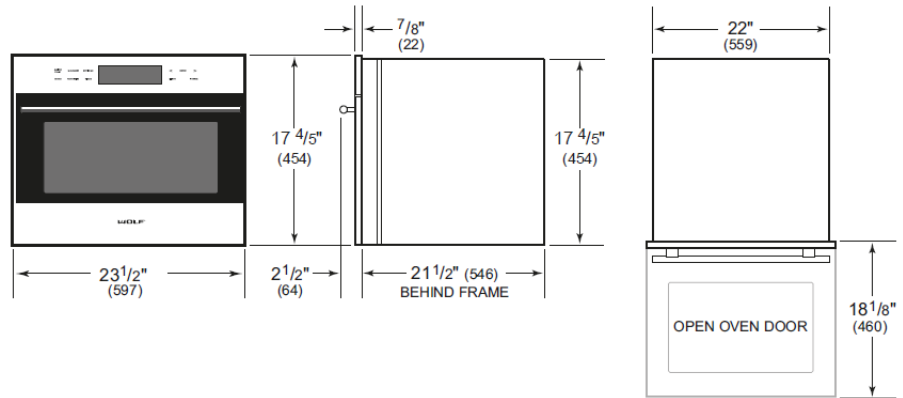
Model	ICBSO2418TE/S/TH
Dimensions	597mmW x 454mmH x 546mmD
Oven 1 Interior Dimensions	454mmW x 279mmH x 400mmD
Overall Capacity	51 L
Door Clearance	360mm
Weight	36 kg
Electrical Supply	220-240 VAC; 50/60 Hz
Electrical Service	3.4 kW

ELECTRICAL

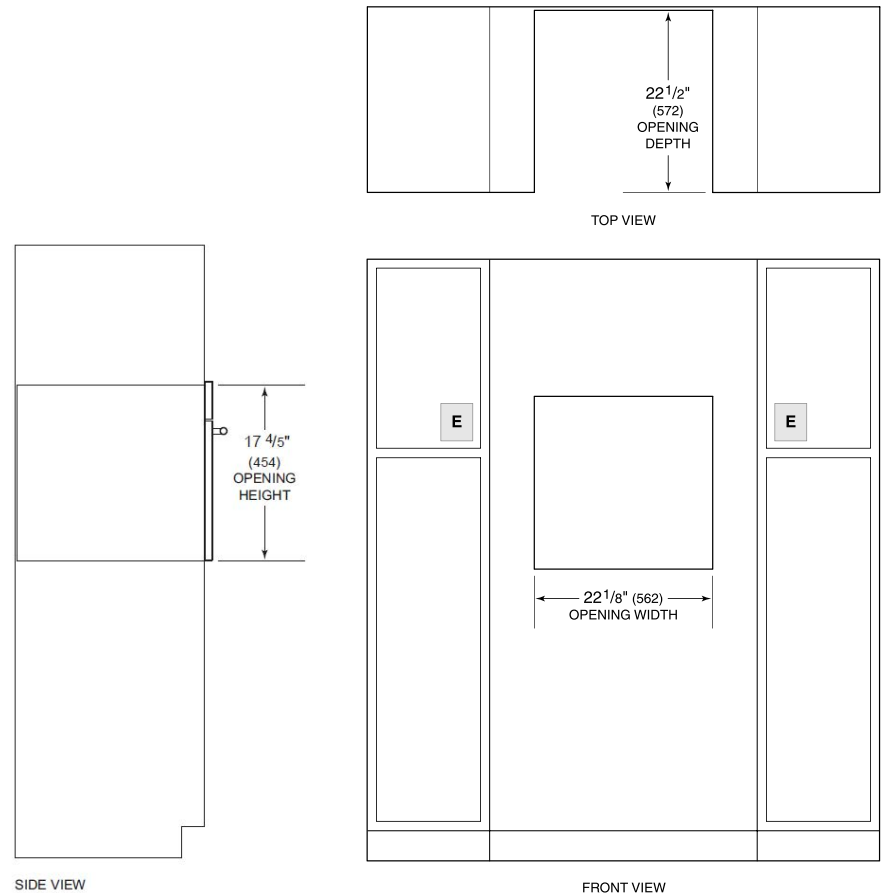


NOTE: Dimensions in parenthesis are in millimeters unless otherwise specified

DIMENSIONS



STANDARD INSTALLATION



SIDE VIEW

FRONT VIEW

NOTE: Electrical supply must be located in adjacent cabinet within 3' (.9 m) of opening.